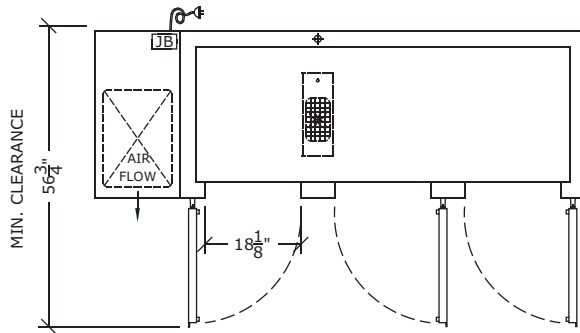


UCRS-3-SMWW

curtis

CORIENTE V2

- FINISHED IN WHITE EMBOSSED INTERIOR & EXTERIOR.
- STAINLESS STEEL FLOOR.
- 3 HALF LENGTH, SOLID HINGED DOORS.
- 3 EPOXY COATED WIRE SHELVES.
- DIGITAL THERMOMETER.
- 6" ADJUSTABLE LEGS.
- CORD AND PLUG.
- ELECTRIC CONDENSATE EVAPORATOR PAN.
- SIDE-MOUNTED, SELF-CONTAINED, 1/4 H.P., AIR-COOLED REFRIGERATION SYSTEM, R-404A, 115/1/60.



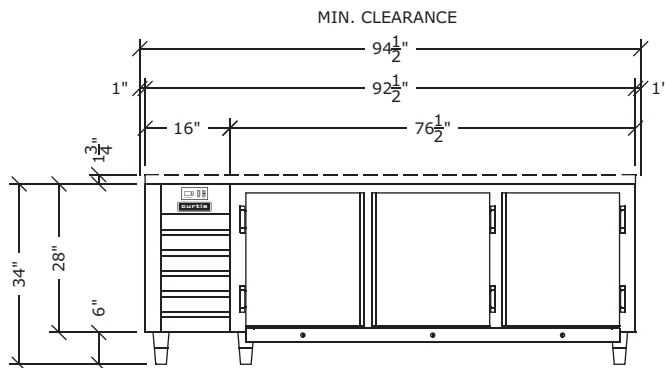
PLAN

LEGEND

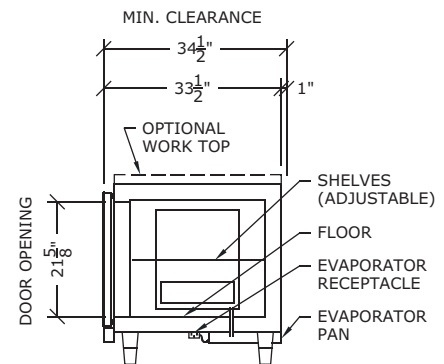
- JB** - JUNCTION BOX ON SIDE OF UNDERCOUNTER
- DRAIN LOCATION UNDER UNDERCOUNTER

NOTES:

- * LEGS NOT FULLY EXTENDED, ALLOW MIN. 6" (152mm) ABOVE UNIT
- ** 115/1/60 AMP. LOAD INCLUDES 1.0 AMPS FOR EVAPORATOR PAN



FRONT ELEVATION



SECTION

UNDERCOUNTER REFRIGERATOR (4°C/39°F)

PDS-UCRS-3-SM-10/06

CAPACITY		HEIGHT *		WIDTH		DEPTH		DOORS		SHELVES	ELECTRICAL **			WEIGHT		SHPG. VOL.
C.F.	LTR.	IN.	CM.	IN.	CM.	IN.	CM.	FULL STD.	HALF OPT.		H.P.	VOLT.	AMP.	LB.	KG.	C.F.
24	680	34	86	92 1/2	235	33 1/2	85	N/A	3	3	1/4	115/1/60	10.6	400	181	66