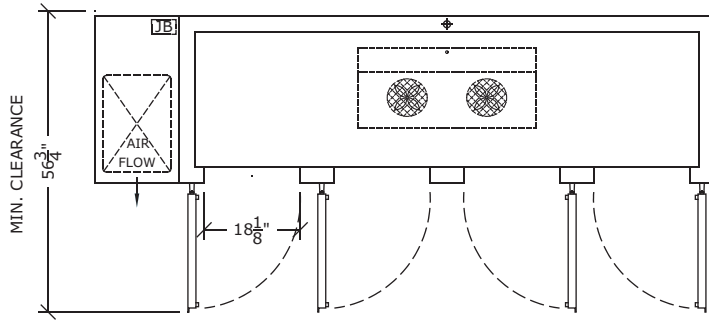


UCFS-4-SMWW

curtis

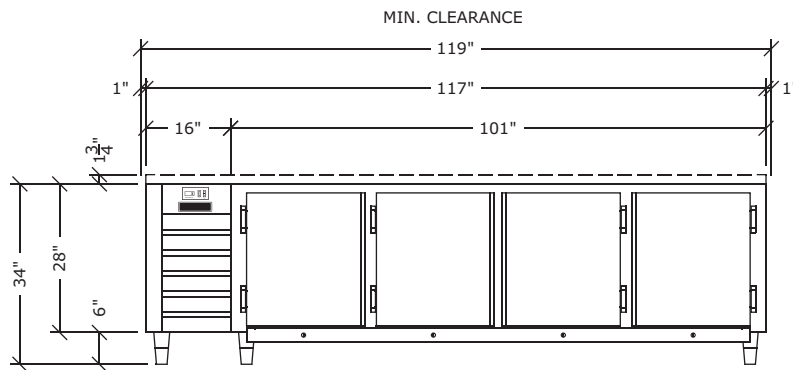
CORIENTE V2

- FINISHED IN WHITE EMBOSSED INTERIOR & EXTERIOR.
- STAINLESS STEEL FLOOR.
- 4 HALF LENGTH, SOLID HINGED DOORS.
- 4 EPOXY COATED WIRE SHELVES.
- DIGITAL THERMOMETER.
- 6" ADJUSTABLE LEGS.
- ELECTRIC CONDENSATE EVAPORATOR PAN.
- SIDE-MOUNTED, SELF-CONTAINED, 1/2 H.P., AIR-COOLED REFRIGERATION SYSTEM, R-404A, 115/1/60.

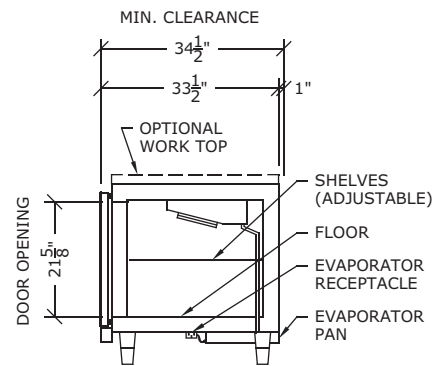


PLAN

LEGEND	NOTES:
<p>JB - JUNCTION BOX ON SIDE OF UNDERCOUNTER</p> <p>⊕ - DRAIN LOCATION UNDER UNDERCOUNTER</p>	<p>* LEGS NOT FULLY EXTENDED, ALLOW MIN. 6" (152mm) ABOVE UNIT</p> <p>** 115/1/60 AMP. LOAD INCLUDES 1.0 AMPS FOR EVAPORATOR PAN</p>



FRONT ELEVATION



SECTION

UNDERCOUNTER FREEZER (-18°C/0°F)

PDS-UCFS-4-SM-10/06

CAPACITY		HEIGHT *		WIDTH		DEPTH		DOORS		SHELVES	ELECTRICAL **			WEIGHT		SHPG. VOL.
C.F.	LTR.	IN.	CM.	IN.	CM.	IN.	CM.	FULL STD.	HALF OPT.		H.P.	VOLT.	AMP.	LB.	KG.	C.F.
33	928	34	86	117	297	33 1/2	85	N/A	4	4	1/2	115/1/60	13.8	500	227	84