

RIRS-2-TMWW

curtis

CORIENTE V2

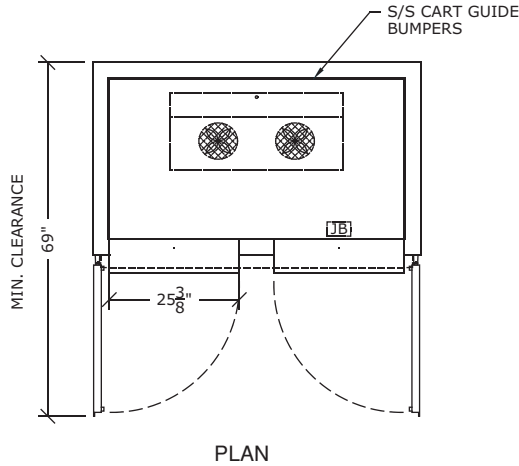
- FINISHED IN WHITE EMBOSSED INTERIOR & EXTERIOR.
- 1 1/2" STAINLESS STEEL RAMPED FLOOR.
- 2 FULL LENGTH, SOLID HINGED DOORS.
- STAINLESS STEEL CART GUIDE BUMPERS.
- DIGITAL THERMOMETER.
- TOP-MOUNTED, SELF-CONTAINED, 1/2 H.P., AIR-COOLED REFRIGERATION SYSTEM, R-404A, 115/1/60.

LEGEND

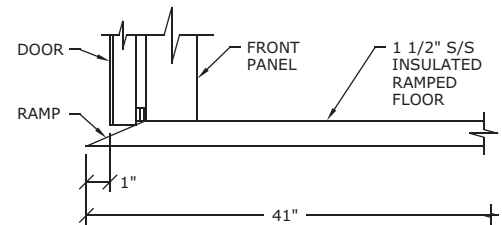
JB - JUNCTION BOX ON TOP OF REACH-IN

NOTES:

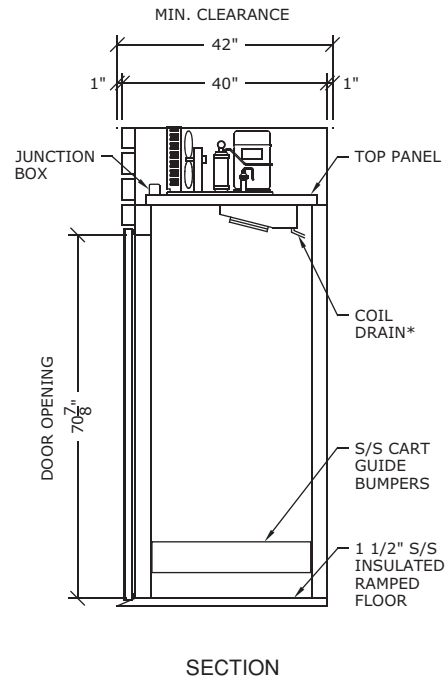
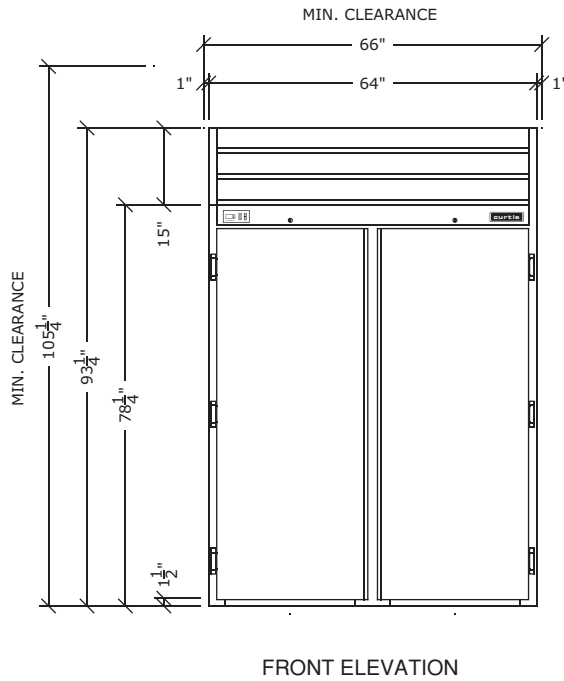
* DRAIN CONNECTION BY OTHERS



RAMP DETAIL



NOTE: RAMP EXTENDS 1" OUT FROM THE FRONT OF THE DOOR. TOTAL FLOOR DEPTH IS 41".



ROLL-IN REFRIGERATOR (4°C/39°F)

PDS-RIRS-2-TM-10/06

CAPACITY		HEIGHT		WIDTH		DEPTH		DOORS		SHELVES	ELECTRICAL			WEIGHT		SHPG. VOL.
C.F.	LTR.	IN.	CM.	IN.	CM.	IN.	CM.	FULL STD.	HALF OPT.		H.P.	VOLT.	AMP.	LB.	KG.	C.F.
88	2484	93 1/4	237	64	163	40	102	2	N/A	N/A	1/2	115/1/60	13.7	800	363	100