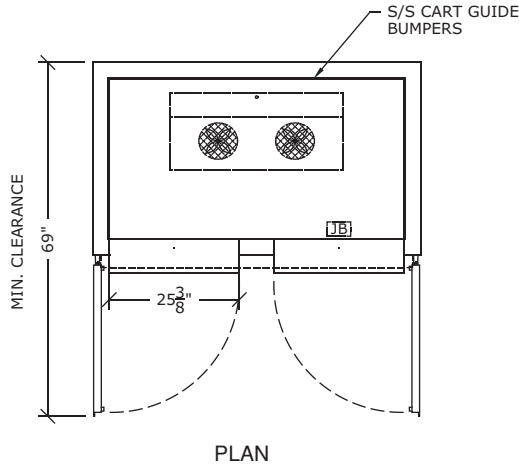


# RIFS-2-TMWW

# curtis

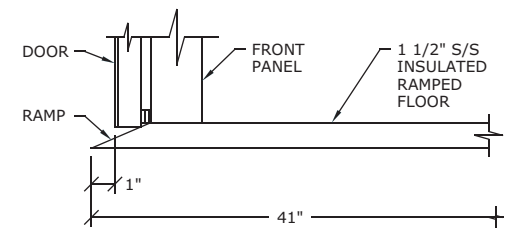
## CORIENTE V2

- FINISHED IN WHITE EMBOSSED INTERIOR & EXTERIOR.
- 1 1/2" STAINLESS STEEL RAMPED FLOOR.
- 2 FULL LENGTH, SOLID HINGED DOORS.
- STAINLESS STEEL CART GUIDE BUMPERS.
- DIGITAL THERMOMETER.
- TOP-MOUNTED, SELF-CONTAINED, 1 H.P., AIR-COOLED REFRIGERATION SYSTEM, R-404A, 230/1/60.

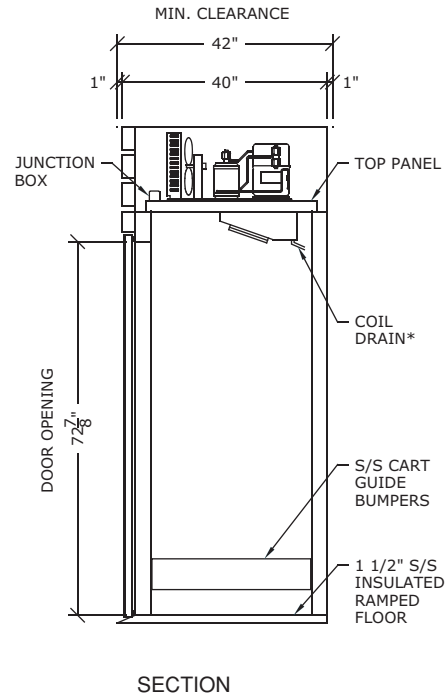
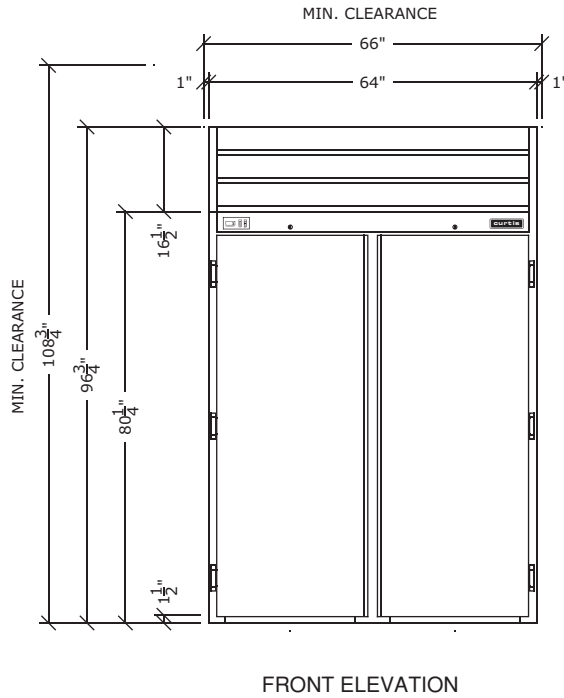


LEGEND	NOTES:
<b>J.B.</b> - JUNCTION BOX ON TOP OF REACH-IN	* DRAIN CONNECTION BY OTHERS

### RAMP DETAIL



NOTE: RAMP EXTENDS 1" OUT FROM THE FRONT OF THE DOOR. TOTAL FLOOR DEPTH IS 41".



ROLL-IN FREEZER (-18°C/0°F)

PDS-RIFS-2-TM-10/06

CAPACITY		HEIGHT		WIDTH		DEPTH		DOORS		SHELVES	ELECTRICAL					WEIGHT		SHPG. VOL.
C.F.	LTR.	IN.	CM.	IN.	CM.	IN.	CM.	FULL STD.	HALF OPT.		H.P.	VOLT.		AMP.		LB.	KG.	C.F.
										FREEZER	FREEZER	CABINET	FREEZER	CABINET				
90	2543	96 3/4	246	64	163	40	102	2	N/A	N/A	1	230/1/60	115/1/60	11.5	2.1	800	363	100