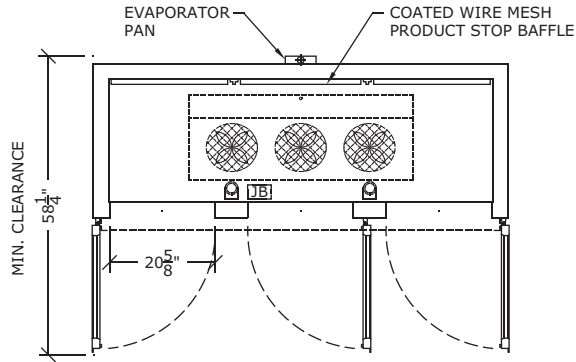


HGFS-3-TMWW

curtis

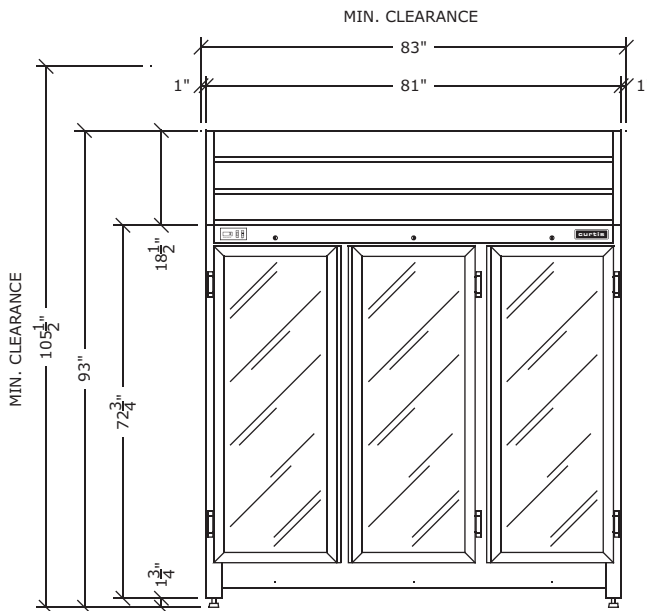
CORIENTE V2

- FINISHED IN WHITE EMBOSSED INTERIOR & EXTERIOR.
- STAINLESS STEEL FLOOR.
- 3 FULL LENGTH, GLASS HINGED DOORS.
- 9 EPOXY COATED WIRE SHELVES.
- DIGITAL THERMOMETER.
- 1 3/4" ADJUSTABLE LEGS.
- ELECTRIC CONDENSATE EVAPORATOR PAN.
- TOP-MOUNTED, SELF-CONTAINED, 1 1/2 H.P., AIR-COOLED REFRIGERATION SYSTEM, R-404A, 230/1/60.

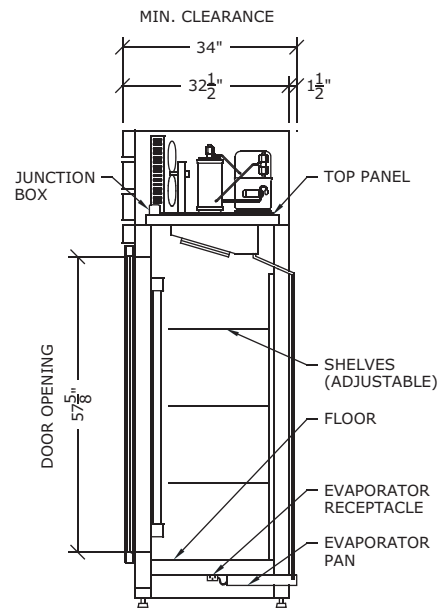


PLAN

LEGEND		NOTES:
	JUNCTION BOX ON TOP OF REACH-IN	* LEGS NOT FULLY EXTENDED, ALLOW MIN. 1 3/4" (44mm) ABOVE UNIT
	DRAIN LOCATION UNDER REACH-IN	** 115/1/60 AMP. LOAD INCLUDES 1.0 AMPS FOR EVAPORATOR PAN
	INTERIOR FLUORESCENT LIGHT FIXTURE	



FRONT ELEVATION



SECTION

HINGED GLASS FREEZER (-18°C/0°F)

PDS-HGFS-3-TM-10/06

CAPACITY		HEIGHT *		WIDTH		DEPTH		DOORS		SHELVES	ELECTRICAL **					WEIGHT		SHPG. VOL.
C.F.	LTR.	IN.	CM.	IN.	CM.	IN.	CM.	FULL STD.	HALF OPT.		H.P.	VOLT.		AMP.		LB.	KG.	C.F.
												FREEZER	CABINET	FREEZER	CABINET			
73	2067	93	236	81	206	32 1/2	83	3	N/A	9	1 1/2	230/1/60	115/1/60	15.4	6.4	700	318	140