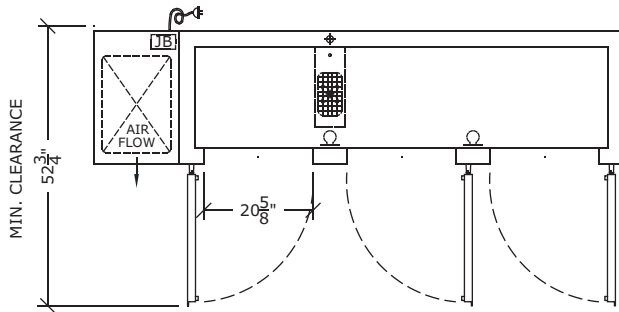


BPRS-3-SMWS

curtis

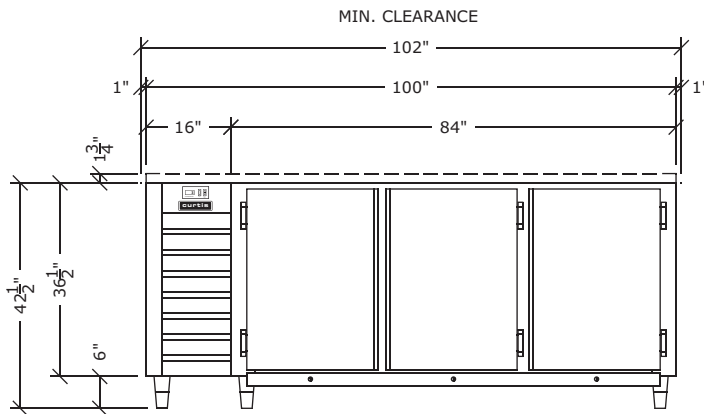
CORIENTE V2

- FINISHED IN WHITE BAKED ENAMEL INTERIOR & STAINLESS STEEL EXTERIOR.
- STAINLESS STEEL FLOOR.
- 3 HALF LENGTH, SOLID HINGED DOORS.
- 9 EPOXY COATED WIRE SHELVES.
- DIGITAL THERMOMETER.
- 6" ADJUSTABLE LEGS.
- CORD AND PLUG.
- ELECTRIC CONDENSATE EVAPORATOR PAN.
- SIDE-MOUNTED, SELF-CONTAINED, 1/4 H.P., AIR-COOLED REFRIGERATION SYSTEM, R-404A, 115/1/60.

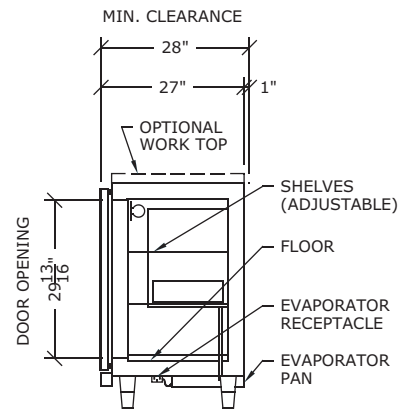


PLAN

LEGEND		NOTES:
JB	- JUNCTION BOX ON SIDE OF BACK BAR	* LEGS NOT FULLY EXTENDED, ALLOW MIN. 6" (152mm) ABOVE UNIT
⊕	- DRAIN LOCATION UNDER BACK BAR	** 115/1/60 AMP. LOAD INCLUDES 1.0 AMPS FOR EVAPORATOR PAN
Ω	- INTERIOR LIGHT FIXTURE	



FRONT ELEVATION



SECTION

BACK BAR REFRIGERATOR (4°C/39°F)

PDS-BPRS-3-SM-10/06

CAPACITY	HEIGHT *		WIDTH		DEPTH		DOORS		SHELVES	ELECTRICAL **			WEIGHT		SHPG. VOL.
	IN.	CM.	IN.	CM.	IN.	CM.	FULL STD.	HALF OPT.		H.P.	VOLT.	AMP.	LB.	KG.	
STD. BOTTLES TOTAL															
441	42 1/2	108	100	254	27	69	N/A	3	9	1/4	115/1/60	11.0	500	250	74