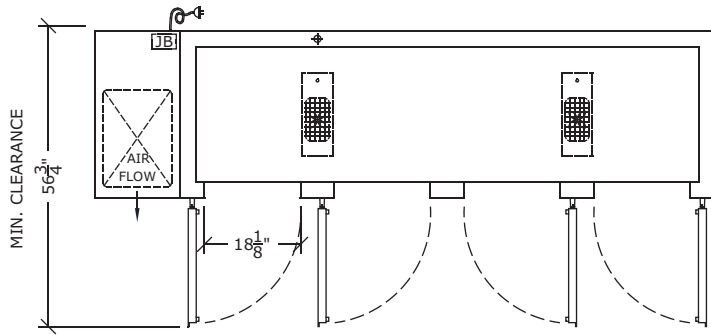


UCRS-4-SMWW

curtis

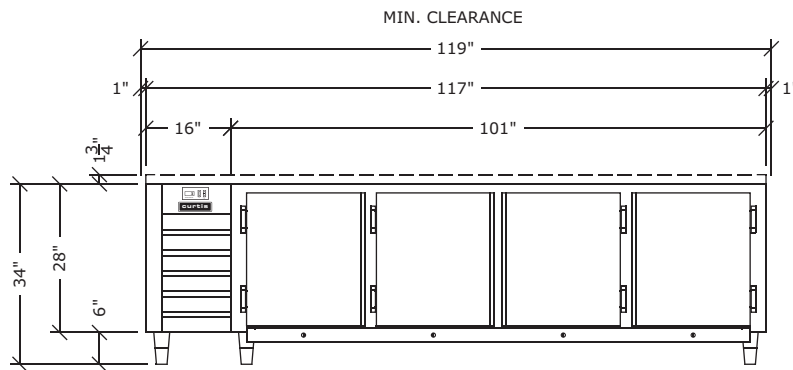
CORIENTE V2

- FINISHED IN WHITE EMBOSSED INTERIOR & EXTERIOR.
- STAINLESS STEEL FLOOR.
- 4 HALF LENGTH, SOLID HINGED DOORS.
- 4 EPOXY COATED WIRE SHELVES.
- DIGITAL THERMOMETER.
- 6" ADJUSTABLE LEGS.
- CORD AND PLUG.
- ELECTRIC CONDENSATE EVAPORATOR PAN.
- SIDE-MOUNTED, SELF-CONTAINED, 1/4 H.P., AIR-COOLED REFRIGERATION SYSTEM, R-404A, 115/1/60.

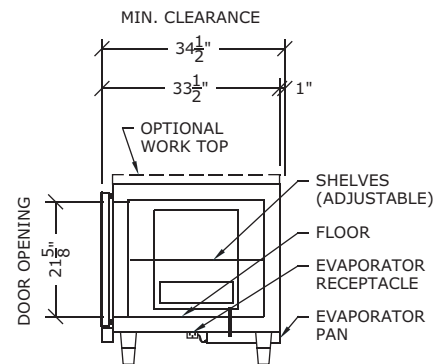


PLAN

| LEGEND | NOTES: |
|---|---|
| JB - JUNCTION BOX ON SIDE OF UNDERCOUNTER | * LEGS NOT FULLY EXTENDED, ALLOW MIN. 6" (152mm) ABOVE UNIT |
| ⊕ - DRAIN LOCATION UNDER UNDERCOUNTER | ** 115/1/60 AMP. LOAD INCLUDES 1.0 AMPS FOR EVAPORATOR PAN |



FRONT ELEVATION



SECTION

UNDERCOUNTER REFRIGERATOR (4°C/39°F)

PDS-UCRS-4-SM-10/06

| CAPACITY | | HEIGHT * | | WIDTH | | DEPTH | | DOORS | | SHELVES | ELECTRICAL ** | | | WEIGHT | | SHPG. VOL. |
|----------|------|----------|-----|-------|-----|--------|-----|-----------|-----------|---------|---------------|----------|------|--------|-----|------------|
| C.F. | LTR. | IN. | CM. | IN. | CM. | IN. | CM. | FULL STD. | HALF OPT. | | H.P. | VOLT. | AMP. | LB. | KG. | C.F. |
| 33 | 928 | 34 | 86 | 117 | 297 | 33 1/2 | 85 | N/A | 4 | 4 | 1/4 | 115/1/60 | 11.3 | 500 | 227 | 84 |