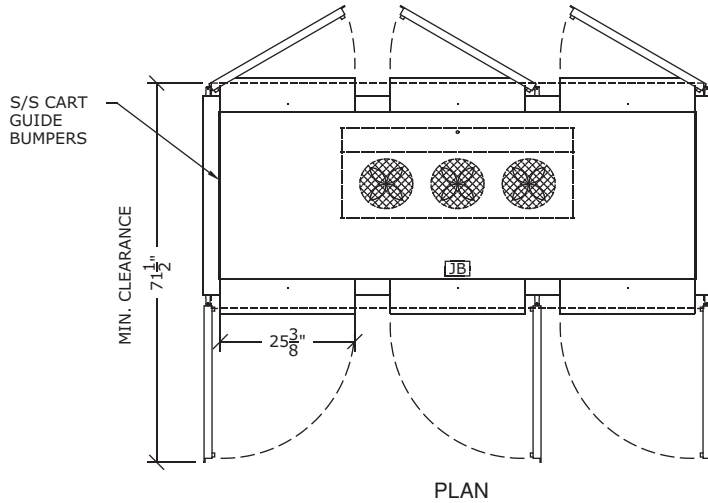


RTRS-3-TMWW

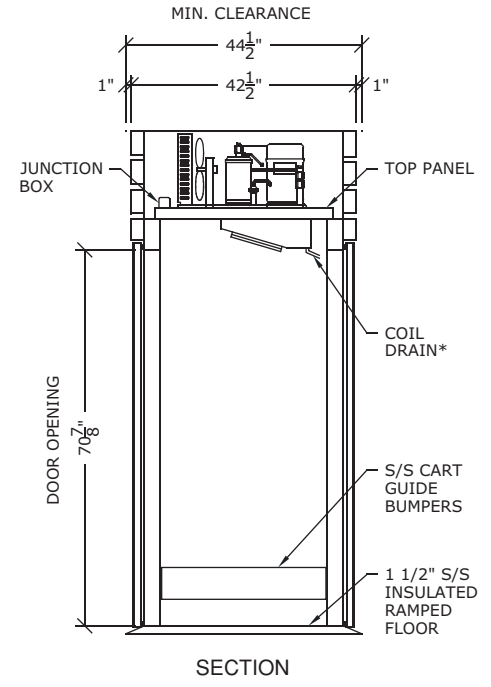
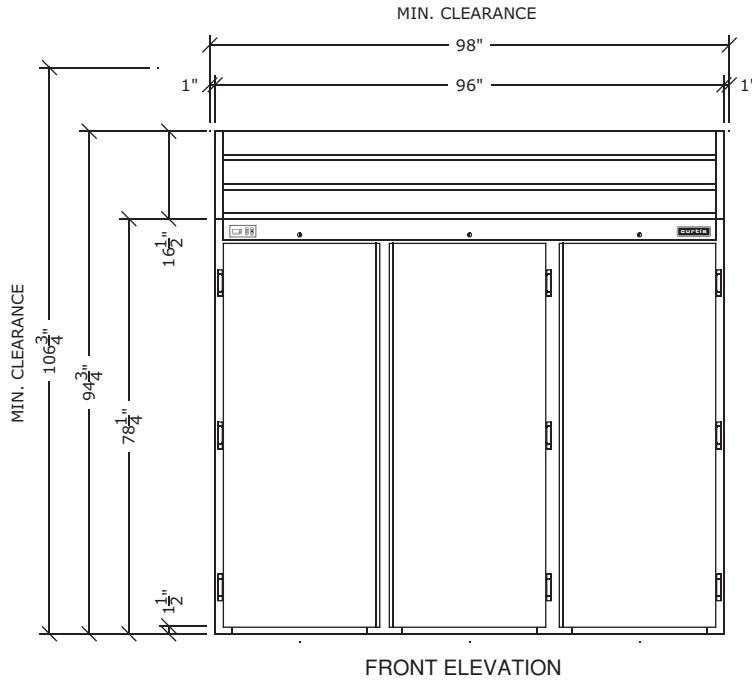
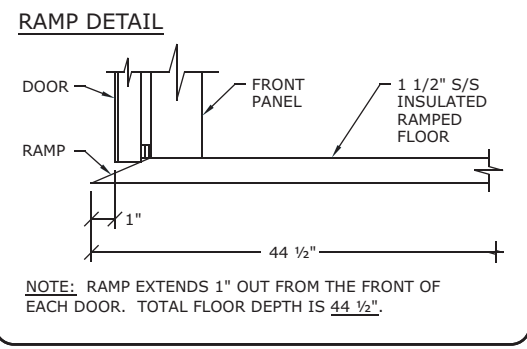
curtis

CORIENTE V2

- FINISHED IN WHITE EMBOSSED INTERIOR & EXTERIOR.
- 1 1/2" STAINLESS STEEL RAMPED FLOOR.
- 6 FULL LENGTH, SOLID HINGED DOORS.
- STAINLESS STEEL CART GUIDE BUMPERS.
- DIGITAL THERMOMETER.
- TOP-MOUNTED, SELF-CONTAINED, 3/4 H.P., AIR-COOLED REFRIGERATION SYSTEM, R-404A, 230/1/60.



LEGEND	NOTES:
JB - JUNCTION BOX ON TOP OF REACH-IN	* DRAIN CONNECTION BY OTHERS



ROLL-THRU REFRIGERATOR (4°C/39°F)

PDS-RTRS-3-TM-10/06

CAPACITY		HEIGHT		WIDTH		DEPTH		DOORS		SHELVES	ELECTRICAL					WEIGHT		SHPG. VOL.
C.F.	LTR.	IN.	CM.	IN.	CM.	IN.	CM.	FULL STD.	HALF OPT.		H.P.	VOLT.		AMP.		LB.	KG.	C.F.
										REFRIGERATOR	REFRIGERATOR	CABINET	REFRIGERATOR	CABINET				
146	4114	94 3/4	241	96	244	42 1/2	108	6	N/A	N/A	3/4	230/1/60	115/1/60	9.2	4.2	1300	590	160