

# RTRS-1-TMWW

# curtis

## CORIENTE V2

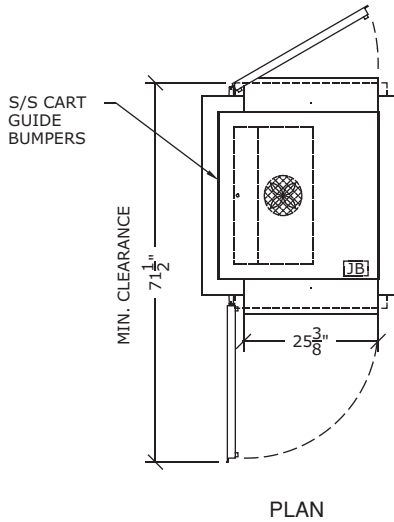
- FINISHED IN WHITE EMBOSSED INTERIOR & EXTERIOR.
- 1 1/2" STAINLESS STEEL RAMPED FLOOR.
- 2 FULL LENGTH, SOLID HINGED DOORS.
- STAINLESS STEEL CART GUIDE BUMPERS.
- DIGITAL THERMOMETER.
- CORD AND PLUG.
- TOP-MOUNTED, SELF-CONTAINED, 1/3 H.P., AIR-COOLED REFRIGERATION SYSTEM, R-404A, 115/1/60.

### LEGEND

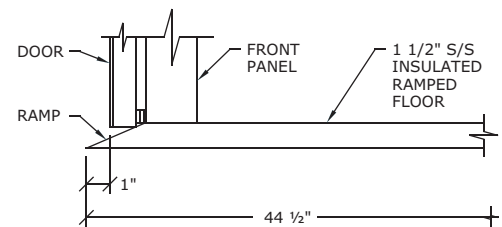
**JB** - JUNCTION BOX ON TOP OF REACH-IN

### NOTES:

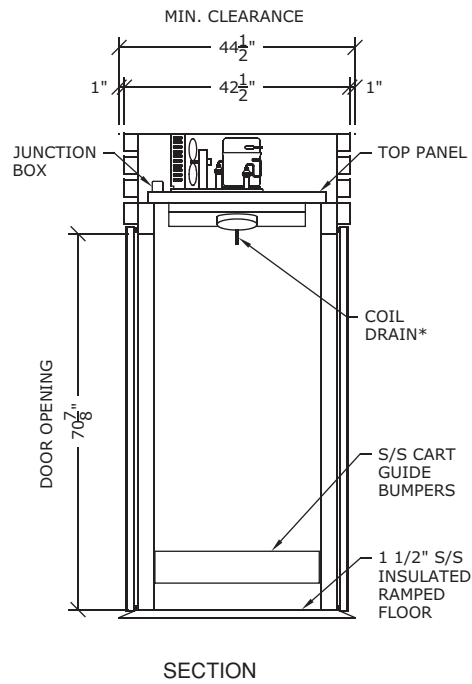
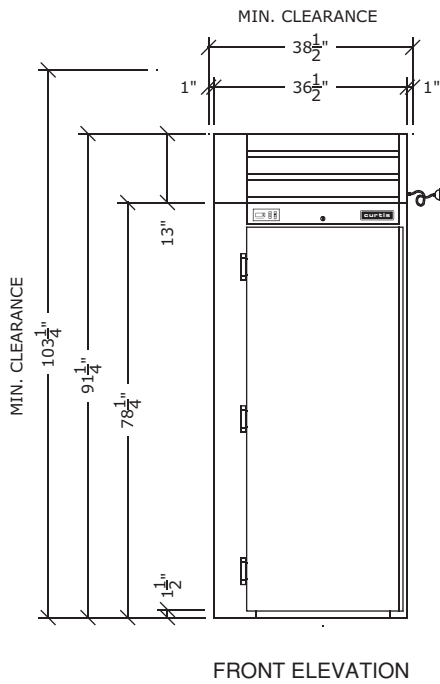
\* DRAIN CONNECTION BY OTHERS



### RAMP DETAIL



**NOTE:** RAMP EXTENDS 1" OUT FROM THE FRONT OF EACH DOOR. TOTAL FLOOR DEPTH IS 44 1/2".



ROLL-THRU REFRIGERATOR (4°C/39°F)

PDS-RTRS-1-TM-10/06

CAPACITY		HEIGHT		WIDTH		DEPTH		DOORS		SHELVES	ELECTRICAL			WEIGHT		SHPG. VOL.
C.F.	LTR.	IN.	CM.	IN.	CM.	IN.	CM.	FULL STD.	HALF OPT.		H.P.	VOLT.	AMP.	LB.	KG.	C.F.
50	1392	91 1/4	232	36 1/2	93	42 1/2	108	2	N/A	N/A	1/3	115/1/60	10.7	550	250	85