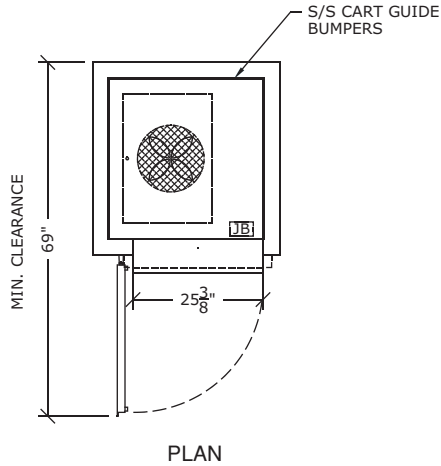


RIFS-1-TMWW

curtis

CORIENTE V2

- FINISHED IN WHITE EMBOSSED INTERIOR & EXTERIOR.
- 1 1/2" STAINLESS STEEL RAMPED FLOOR.
- 1 FULL LENGTH, SOLID HINGED DOOR.
- STAINLESS STEEL CART GUIDE BUMPERS.
- DIGITAL THERMOMETER.
- TOP-MOUNTED, SELF-CONTAINED, 1/2 H.P., AIR-COOLED REFRIGERATION SYSTEM, R-404A, 115/1/60.



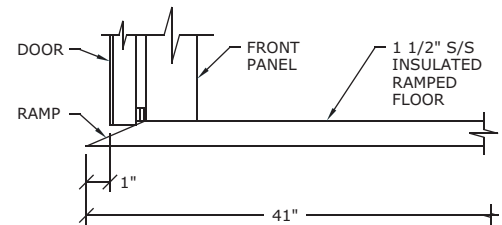
LEGEND

JB - JUNCTION BOX ON TOP OF REACH-IN

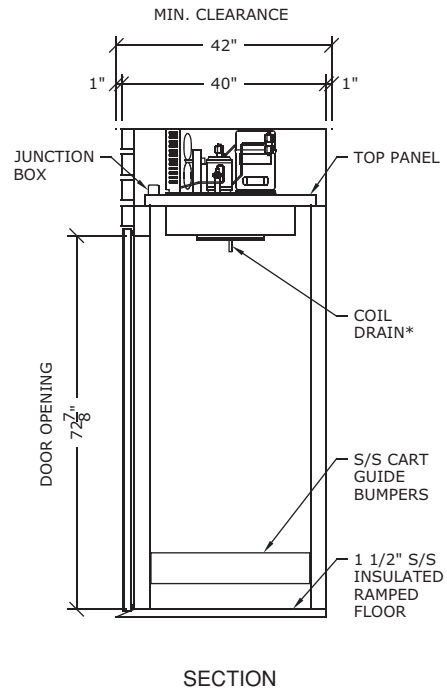
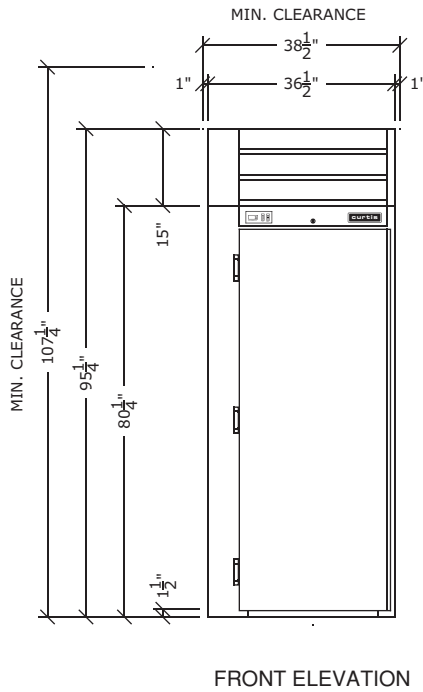
NOTES:

* DRAIN CONNECTION BY OTHERS

RAMP DETAIL



NOTE: RAMP EXTENDS 1" OUT FROM THE FRONT OF THE DOOR. TOTAL FLOOR DEPTH IS 41".



ROLL-IN FREEZER (-18°C/0°F)

PDS-RIFS-1-TM-10/06

CAPACITY		HEIGHT		WIDTH		DEPTH		DOORS		SHELVES	ELECTRICAL			WEIGHT		SHPG. VOL.
C.F.	LTR.	IN.	CM.	IN.	CM.	IN.	CM.	FULL STD.	HALF OPT.		H.P.	VOLT.	AMP.	LB.	KG.	C.F.
47	36 3/33	95 1/4	242	2	93	40	102	1	N/A	N/A	1/2	115/1/60	12.0	500	227	80