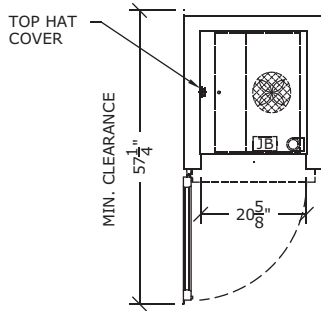


# HGIS-1-TMWW

# curtis

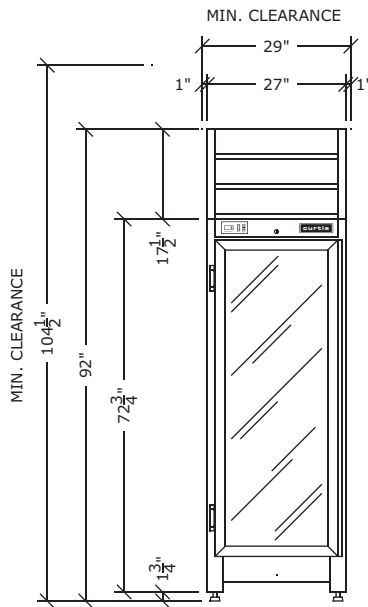
## CORIENTE V2

- FINISHED IN WHITE EMBOSSED INTERIOR & EXTERIOR.
- STAINLESS STEEL FLOOR.
- 1 FULL LENGTH, GLASS HINGED DOOR.
- 3 EPOXY COATED WIRE SHELVES.
- DIGITAL THERMOMETER.
- 1 3/4" ADJUSTABLE LEGS.
- ELECTRIC CONDENSATE EVAPORATOR PAN.
- TOP-MOUNTED, SELF-CONTAINED, 1 H.P., AIR-COOLED REFRIGERATION SYSTEM, R-404A, 230/1/60.

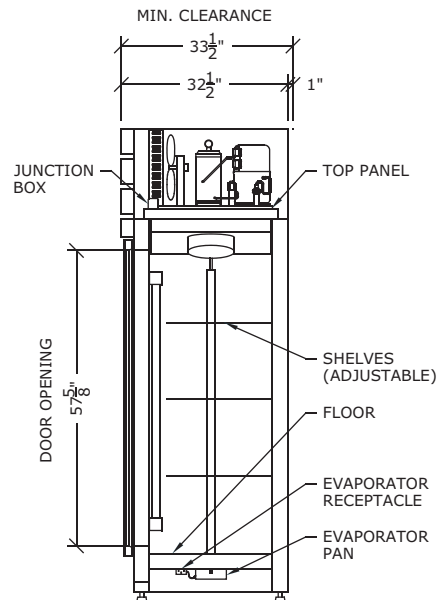


PLAN

LEGEND		NOTES:
	JUNCTION BOX ON TOP OF REACH-IN	* LEGS NOT FULLY EXTENDED, ALLOW MIN. 1 3/4" (44mm) ABOVE UNIT
	DRAIN LOCATION UNDER REACH-IN	** 115/1/60 AMP. LOAD INCLUDES 1.0 AMPS FOR EVAPORATOR PAN
	INTERIOR FLUORESCENT LIGHT FIXTURE	



FRONT ELEVATION



SECTION

ICE CREAM FREEZER (-23°C/-10°F)

PDS-HGIS-1-TM-10/06

CAPACITY		HEIGHT *		WIDTH		DEPTH		DOORS		SHELVES	ELECTRICAL **				WEIGHT		SHPG. VOL.	
C.F.	LTR.	IN.	CM.	IN.	CM.	IN.	CM.	FULL STD.	HALF OPT.		H.P.	VOLT.		AMP.		LB.	KG.	C.F.
											FREEZER	FREEZER	CABINET	FREEZER	CABINET			
21	589	92	234	27	69	32 1/2	83	1	N/A	3	1	230/1/60	115/1/60	10.7	3.3	450	204	47