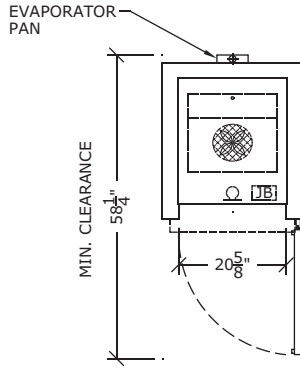


DTS-1-TMWW

curtis

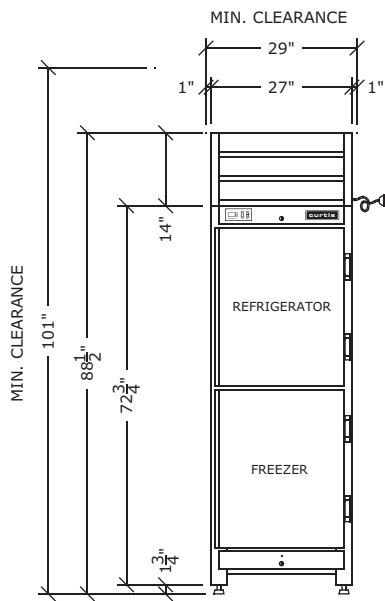
CORIENTE V2

- FINISHED IN WHITE BAKED ENAMEL INTERIOR & EXTERIOR.
- STAINLESS STEEL FLOOR.
- 2 HALF LENGTH, SOLID HINGED DOORS.
- 2 EPOXY COATED WIRE SHELVES.
- DIGITAL THERMOMETER.
- 1 3/4" ADJUSTABLE LEGS.
- CORD AND PLUG.
- ELECTRIC CONDENSATE EVAPORATOR PAN.
- TOP-MOUNTED, SELF-CONTAINED, 1/2 H.P., AIR-COOLED REFRIGERATION SYSTEM, R-404A, 115/1/60.

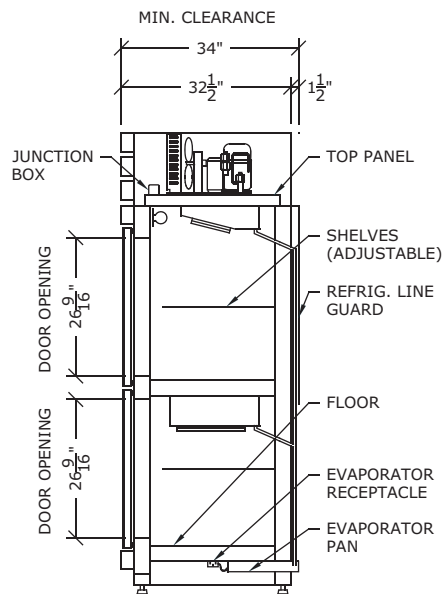


PLAN

LEGEND	NOTES:
JB - JUNCTION BOX ON TOP OF REACH-IN	* LEGS NOT FULLY EXTENDED, ALLOW MIN. 1 3/4" (44mm) ABOVE UNIT
⊕ - DRAIN LOCATION UNDER REACH-IN	** 115/1/60 AMP. LOAD INCLUDES 1.0 AMPS FOR EVAPORATOR PAN
⊙ - INTERIOR LIGHT FIXTURE	



FRONT ELEVATION



SECTION

DUAL TEMPERATURE (4°C/39°F) (-18°C/0°F)

PDS-DTS-1-TM-10/06

CAPACITY				HEIGHT *		WIDTH		DEPTH		DOORS	SHELVES	ELECTRICAL **			WEIGHT		SHPG. VOL.
REFRIG.		FREEZER		IN.	CM.	IN.	CM.	IN.	CM.	HALF STD.		H.P.	VOLT.	AMP.	LB.	KG.	C.F.
11	297	8	233	88 1/2	225	27	69	32 1/2	83	2	2	1/2	115/1/60	11.3	450	204	57