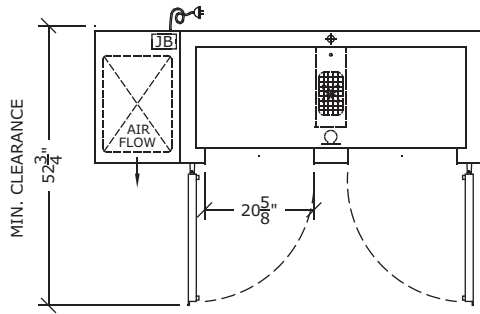


BPRS-2-SMWS

curtis

CORIENTE V2

- FINISHED IN WHITE BAKED ENAMEL INTERIOR & STAINLESS STEEL EXTERIOR.
- STAINLESS STEEL FLOOR.
- 2 HALF LENGTH, SOLID HINGED DOORS.
- 6 EPOXY COATED WIRE SHELVES.
- DIGITAL THERMOMETER.
- 6" ADJUSTABLE LEGS.
- CORD AND PLUG.
- ELECTRIC CONDENSATE EVAPORATOR PAN.
- SIDE-MOUNTED, 1/4 H.P., AIR-COOLED REFRIGERATION SYSTEM, R-404A, 115/1/60.



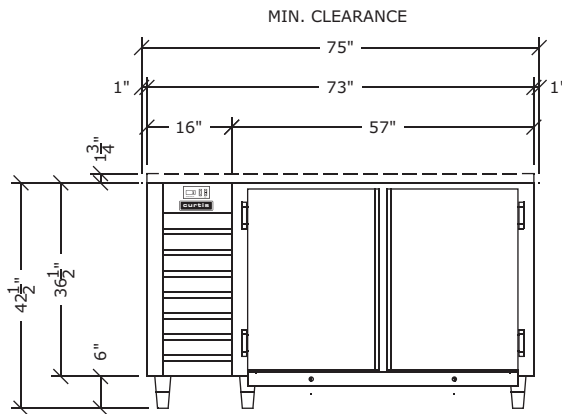
PLAN

LEGEND

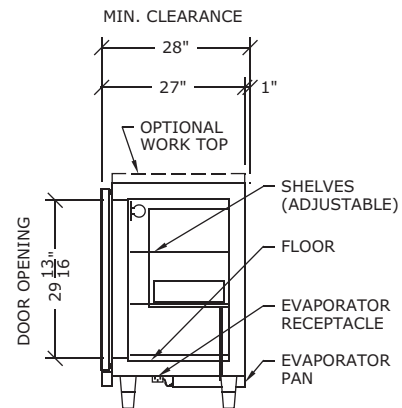
- JB** - JUNCTION BOX ON SIDE OF BACK BAR
- DRAIN LOCATION UNDER BACK BAR
- INTERIOR LIGHT FIXTURE

NOTES:

- * LEGS NOT FULLY EXTENDED, ALLOW MIN. 6" (152mm) ABOVE UNIT
- ** 115/1/60 AMP. LOAD INCLUDES 1.0 AMPS FOR EVAPORATOR PAN



FRONT ELEVATION



SECTION

BACK BAR REFRIGERATOR (4°C/39°F)

PDS-BPRS-2-SM-10/06

CAPACITY	HEIGHT *		WIDTH		DEPTH		DOORS		SHELVES	ELECTRICAL **			WEIGHT		SHPG. VOL. C.F.
	IN.	CM.	IN.	CM.	IN.	CM.	FULL STD.	HALF OPT.		H.P.	VOLT.	AMP.	LB.	KG.	
STD. BOTTLES TOTAL															
294	42 1/2	108	73	185	27	69	N/A	2	6	1/4	115/1/60	10.1	400	181	54