

## DOOR FRAME & DESIGN SPECIFICATIONS

### CONSTRUCTION:

Door and door frame constructed of 24 gauge pre-painted galvanized steel; polyurethane foamed-in-place insulation.

### MAGNETIC GASKET

Specially designed vinyl covered magnetic gasket with welded corners for positive air-tight seal. Locks into built-in retainer. Fast easy replacement without tools.

### DOOR CLOSER

Positive spring activated mechanism brings door to a smooth close.

### RELIEF PORT

Heated air pressure relief port equipped on all rooms below 2°C / 34°F. Equalizes pressure when door is opened or closed. Heated valve prevents freeze-up.

### HINGES

Heavy duty construction self closing cam action nylon bushings for long life.

### SILL PLATE

14 GA. stainless steel plate reinforced to withstand heavy traffic.

### DOOR FRAME HEATER

Low wattage heater cable prevents frost build-up. Surface mounted in perimeter raceways with chrome plated snap-on cover trim. Standard on all rooms below 0 °C / 32 °F.

### HANDLE / LATCH

Heavy duty construction lever action padlockable. Equipped with quick acting inside safety release to prevent accidental entrapment.

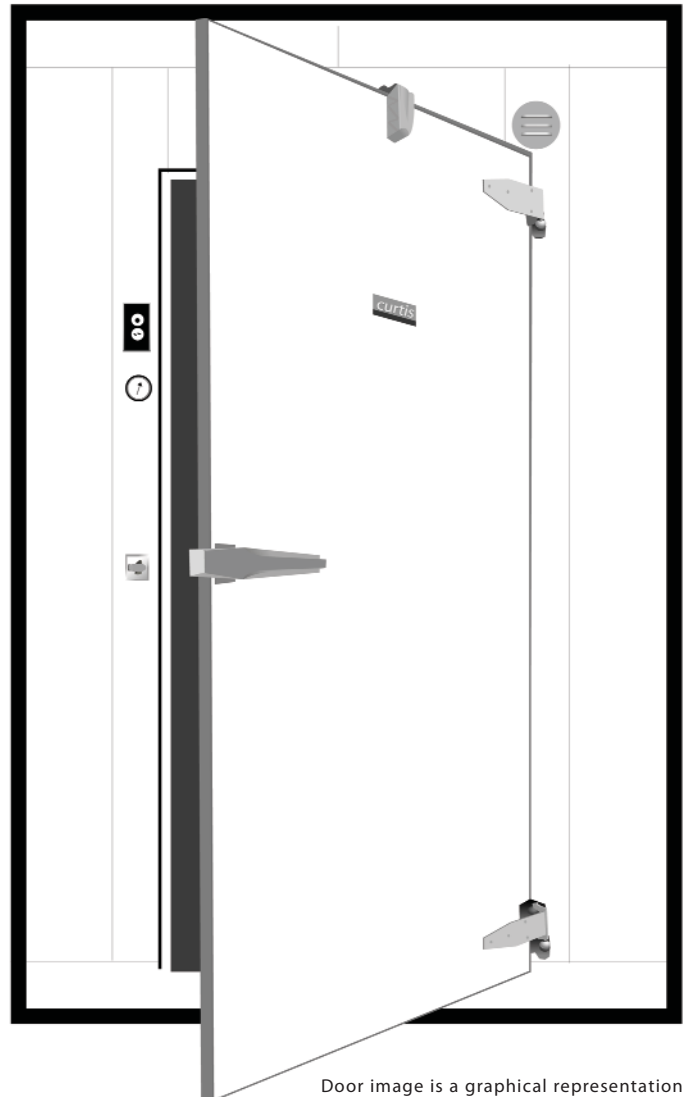
### THERMOMETER

2½" flush mounted chrome-plated dial thermometer for accurate reading of interior temperature range from -40 °C to 20 °C.

### LIGHTING

Factory Installed

Pilot light and switch mounted in chrome-plated cover plate. Inter-wired to interior vapour proof light fixture, C.S.A. approved.

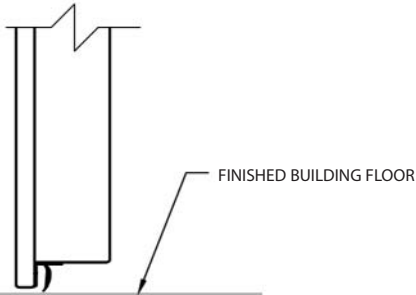


Door image is a graphical representation of Curtis door and door frame

# WALK-IN FLOOR DETAILS

## WALK-IN NO FLOOR (STANDARD)

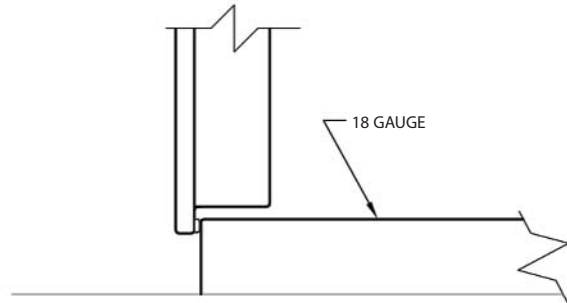
SCALE: N.T.S.



Curtis walk-in coolers (above 2°C) normally do NOT require floor insulation when slab-on-grade. Freezers (below 2°C) ALWAYS require floor insulation & interior/exterior thermal break.

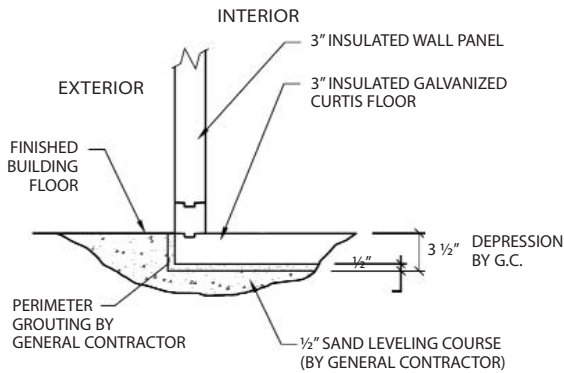
## WALK-IN 3" GALV. CLAD FLOOR (STANDARD)

SCALE: N.T.S.



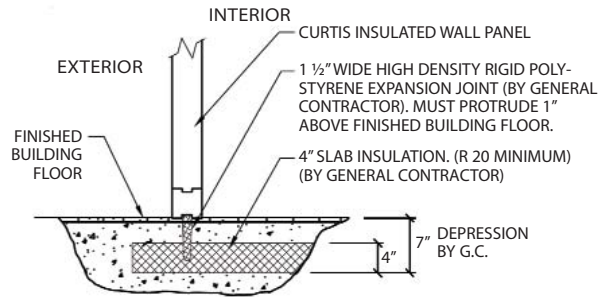
## 3 1/2" FLOOR DEPRESSION DETAIL

SCALE: N.T.S.



## EXPANSION JOINT DETAIL

SCALE: N.T.S.



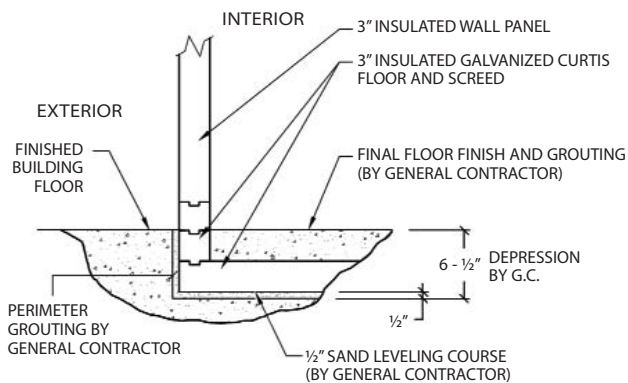
### GENERAL CONTRACTOR

The expansion joint must be installed as to form an integral part with the slab insulation creating a continuous thermal barrier. The expansion joint must be installed in such a manner that it will not be lifted or torn during floor construction.

**NOTE TO CONTRACTOR: NO BUTT JOINTS**

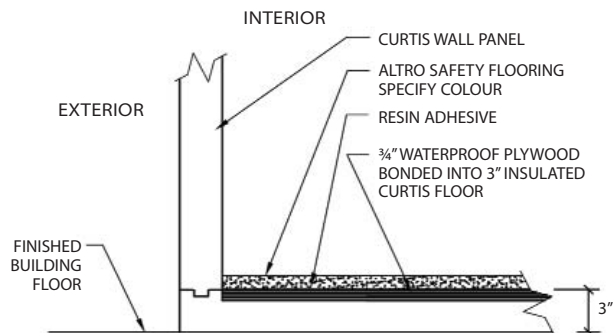
## 6 1/2" FLOOR DEPRESSION DETAIL

SCALE: N.T.S.



## ALTRO SAFETY FLOORING DETAIL

SCALE: N.T.S.



**curtis**  
www.canadiancurtis.com

Canadian Curtis Refrigeration Inc.

3200 Highway 7, Vaughan, Ontario L4K 5Z5

Tel: 905-660-0110

1-866-328-7847

Fax: 905-660-0310

\*Specifications subject to change by Curtis without prior notice