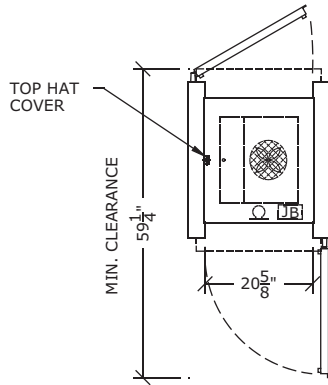


PRS-1-TMWW

curtis

CORIENTE V2

- FINISHED IN WHITE BAKED ENAMEL INTERIOR & EXTERIOR.
- STAINLESS STEEL FLOOR.
- 2 FULL LENGTH, SOLID HINGED DOORS.
- 3 EPOXY COATED WIRE SHELVES.
- DIGITAL THERMOMETER.
- 1 3/4" ADJUSTABLE LEGS.
- CORD AND PLUG.
- ELECTRIC CONDENSATE EVAPORATOR PAN.
- TOP-MOUNTED, SELF-CONTAINED, 1/4 H.P., AIR-COOLED REFRIGERATION SYSTEM, R-404A, 115/1/60.



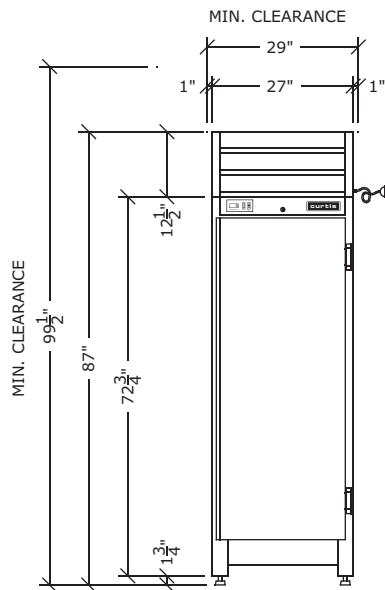
PLAN

LEGEND

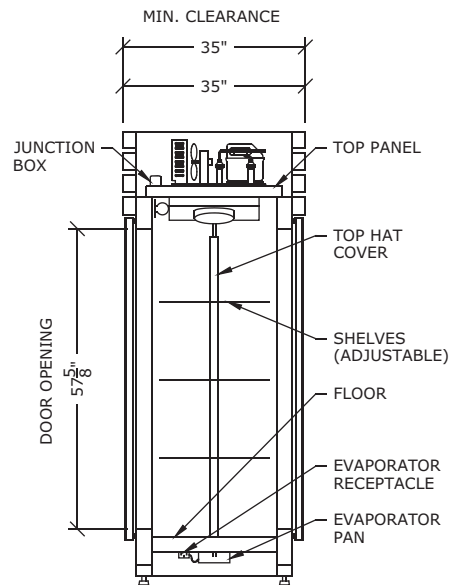
- JUNCTION BOX ON TOP OF REACH-IN
- DRAIN LOCATION UNDER REACH-IN
- INTERIOR LIGHT FIXTURE

NOTES:

- * LEGS NOT FULLY EXTENDED, ALLOW MIN. 1 3/4" (44mm) ABOVE UNIT
- ** 115/1/60 AMP. LOAD INCLUDES 1.0 AMPS FOR EVAPORATOR PAN



FRONT ELEVATION



SECTION

PASS THRU REFRIGERATOR (4°C/39°F)

PDS-PRS-1-TM-10/06

| CAPACITY | | HEIGHT * | | WIDTH | | DEPTH | | DOORS | | SHELVES | ELECTRICAL ** | | | WEIGHT | | SHPG. VOL. |
|----------|------|----------|-----|-------|-----|-------|-----|-----------|-----------|---------|---------------|----------|------|--------|-----|------------|
| C.F. | LTR. | IN. | CM. | IN. | CM. | IN. | CM. | FULL STD. | HALF OPT. | | H.P. | VOLT. | AMP. | LB. | KG. | C.F. |
| 23 | 639 | 87 | 221 | 27 | 69 | 35 | 89 | 2 | 4 | 3 | 1/4 | 115/1/60 | 10.8 | 450 | 204 | 56 |