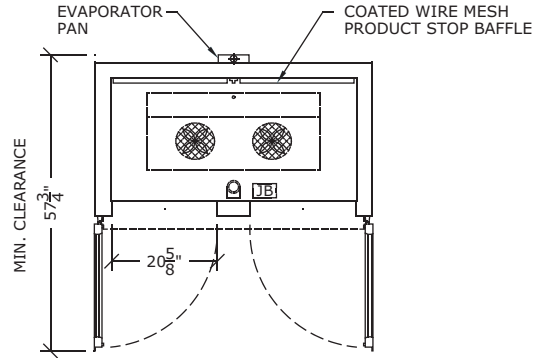


HGRS-2-TMWW

curtis

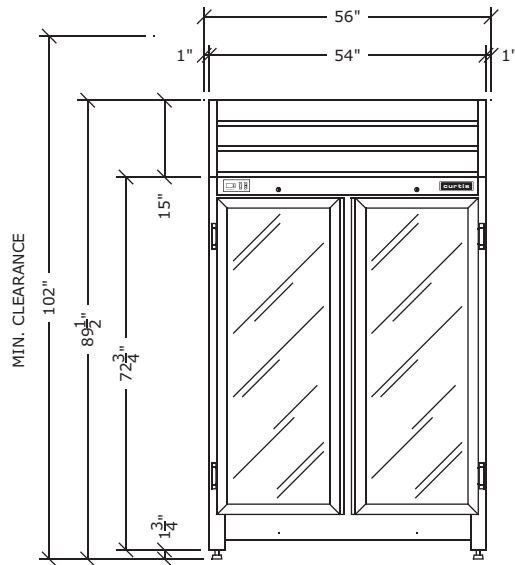
CORIENTE V2

- FINISHED IN WHITE BAKED ENAMEL INTERIOR & EXTERIOR.
- STAINLESS STEEL FLOOR.
- 2 FULL LENGTH, GLASS HINGED DOORS.
- 6 EPOXY COATED WIRE SHELVES.
- DIGITAL THERMOMETER.
- 1 3/4" ADJUSTABLE LEGS.
- ELECTRIC CONDENSATE EVAPORATOR PAN.
- TOP-MOUNTED, SELF-CONTAINED, 1/2 H.P., AIR-COOLED REFRIGERATION SYSTEM, R-404A, 115/1/60.

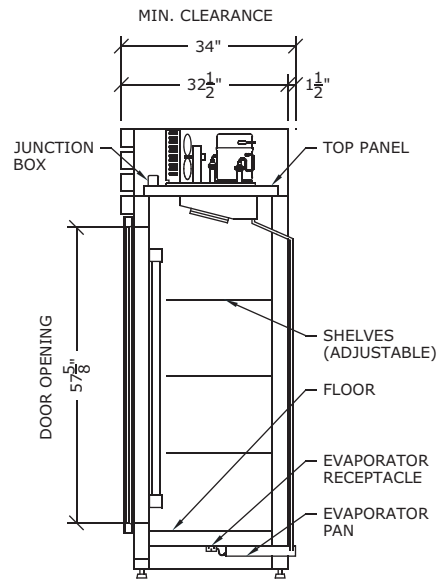


PLAN

LEGEND		NOTES:
JB	- JUNCTION BOX ON TOP OF REACH-IN	* LEGS NOT FULLY EXTENDED, ALLOW MIN. 1 3/4" (44mm) ABOVE UNIT
	- DRAIN LOCATION UNDER REACH-IN	** 115/1/60 AMP. LOAD INCLUDES 1.0 AMPS FOR EVAPORATOR PAN
	- INTERIOR FLUORESCENT LIGHT FIXTURE	



FRONT ELEVATION



SECTION

HINGED GLASS REFRIGERATOR (4°C/39°F)

PDS-HGRS-2-TM-10/06

CAPACITY		HEIGHT *		WIDTH		DEPTH		DOORS		SHELVES	ELECTRICAL **			WEIGHT		SHPG. VOL.
C.F.	LTR.	IN.	CM.	IN.	CM.	IN.	CM.	FULL STD.	HALF OPT.		H.P.	VOLT.	AMP.	LB.	KG.	C.F.
47	1329	89 1/2	227	54	137	32 1/2	83	2	N/A	6	1/2	115/1/60	15.6	600	272	93