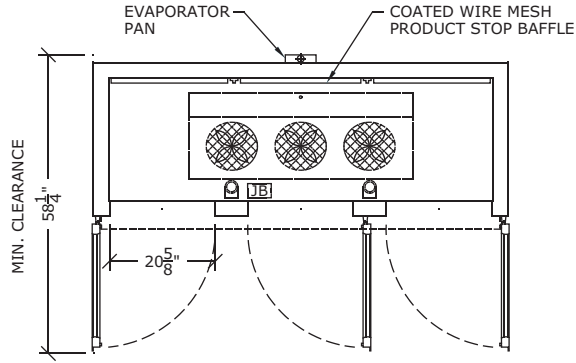


HGIS-3-TMWW

curtis

CORIENTE V2

- FINISHED IN WHITE BAKED ENAMEL INTERIOR & EXTERIOR.
- STAINLESS STEEL FLOOR.
- 3 FULL LENGTH, GLASS HINGED DOORS.
- 9 EPOXY COATED WIRE SHELVES.
- DIGITAL THERMOMETER.
- 1 3/4" ADJUSTABLE LEGS.
- ELECTRIC CONDENSATE EVAPORATOR PAN.
- TOP-MOUNTED, SELF-CONTAINED, 2 1/2 H.P., AIR-COOLED REFRIGERATION SYSTEM, R-404A, 230/1/60.



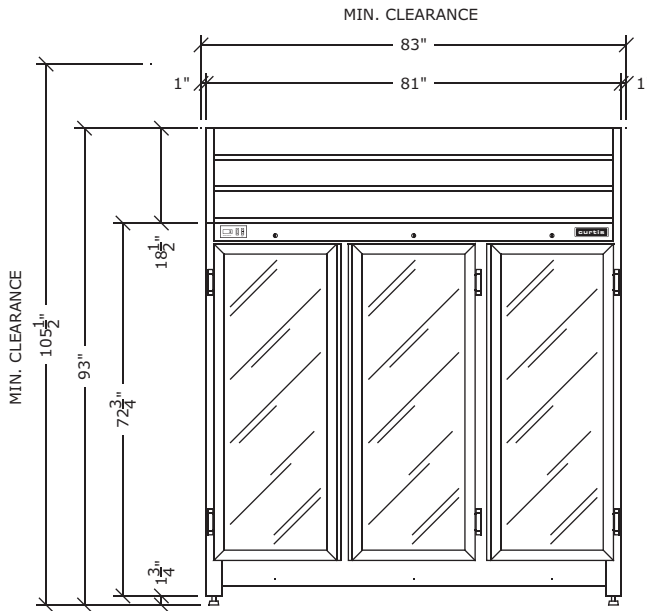
PLAN

LEGEND

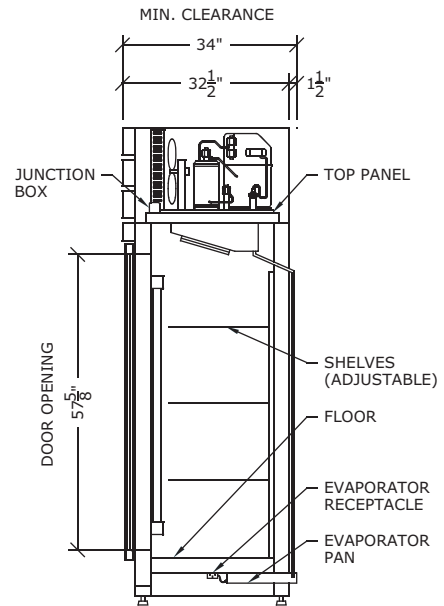
- JUNCTION BOX ON TOP OF REACH-IN
- DRAIN LOCATION UNDER REACH-IN
- INTERIOR FLUORESCENT LIGHT FIXTURE

NOTES:

- * LEGS NOT FULLY EXTENDED, ALLOW MIN. 1 3/4" (44mm) ABOVE UNIT
- ** 115/1/60 AMP. LOAD INCLUDES 1.0 AMPS FOR EVAPORATOR PAN



FRONT ELEVATION



SECTION

ICE CREAM FREEZER (-23°C/-10°F)

PDS-HGIS-3-TM-10/06

CAPACITY		HEIGHT *		WIDTH		DEPTH		DOORS		SHELVES	ELECTRICAL **					WEIGHT		SHPG. VOL.
C.F.	LTR.	IN.	CM.	IN.	CM.	IN.	CM.	FULL STD.	HALF OPT.		H.P.	VOLT.		AMP.		LB.	KG.	C.F.
										FREEZER	FREEZER	CABINET	FREEZER	CABINET				
73	2067	93	236	81	206	32 1/2	83	3	N/A	9	2 1/2	230/1/60	115/1/60	19.0	6.4	700	318	140